

INSTALLATION INSTRUCTIONS

Rear Mud Flap (63410-24A00)

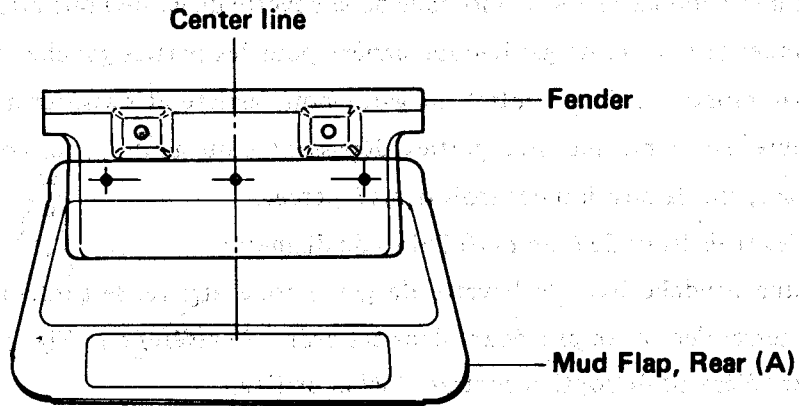


Fig. 1

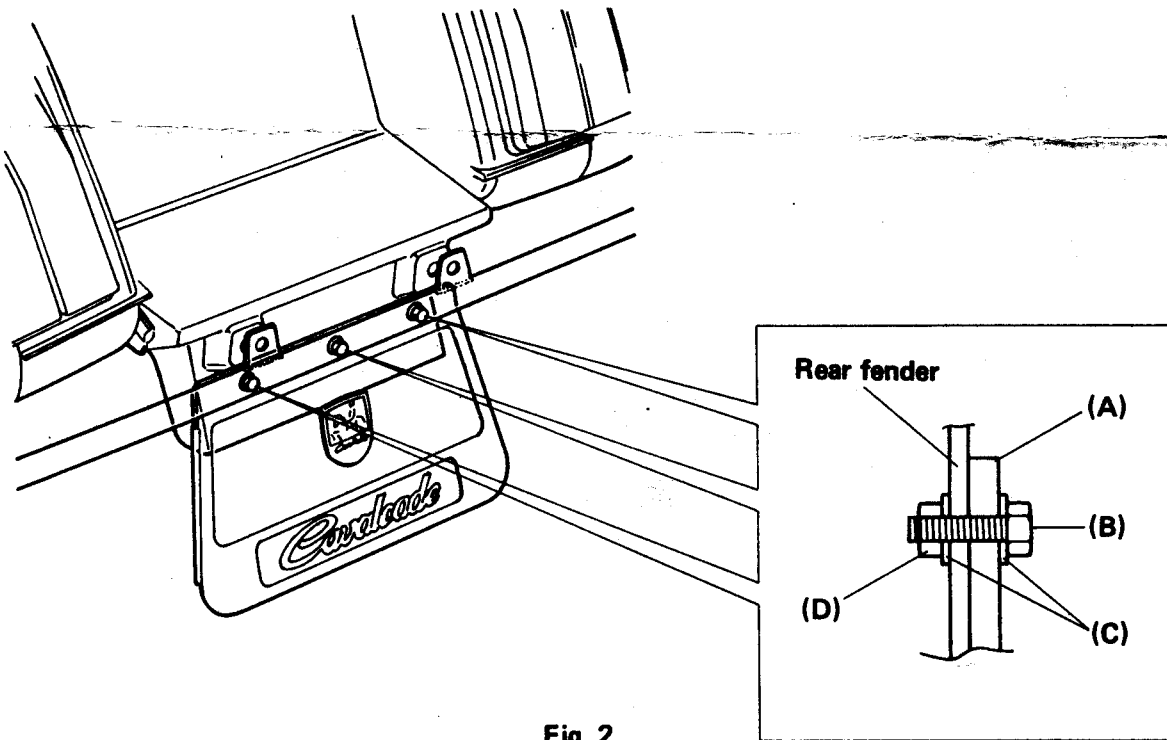


Fig. 2

Letter	Qty	Description	Letter	Qty	Description
A	1	Mud Flap, Rear	C	6	6mm Flat Washer
B	3	6 x 20mm Bolt	D	3	6mm Hex. Nut

Rear Mud Flap 63410-24A00

1. Remove the rear end trimmer center piece by removing the four bolts that fasten it to the frame.
2. Determine the place to install the mud flap. Position the rear mud flap so that its right and left sides are symmetrical with respect to the center line of the rear fender and that its upper end conforms to the projected portions of the fender as shown in the Fig. 1. Mark off three bolt hole points.
3. Drill all of the three holes 6.5mm (0.26in.) in diameter.
4. Tighten that washer, the mud flap, the fender, another flat washer and the nut in this order with the bolt. Refer to the Figure 2.
5. Reinstall the rear end trimmer.