

Front Disc Plate Cover Set 59230-24A00

1. Remove two bolts each that hold on both right and left calipers to remove the calipers.
2. Pull out the front axle cotter pin and remove the axle nut and speedometer cable.
3. Pull out the axle bolt and remove the front wheel together with the speedometer drive gear box and flat washer. Discard washer.
4. Loosen the two axle holder nuts of the right side fork to pull out the spacer. Then, replace the spacer with one shown in the figure.

Note: When doing this, install the spacer so that the flange faces inward, and tighten the axle holder nut temporarily.

5. Install the covers from the left side, in this order, the left front disc plate cover, the speedometer drive gear box, the front wheel and the right front disc plate cover. Then, tighten the axle nut and secure the axle nut with the cotter pin.

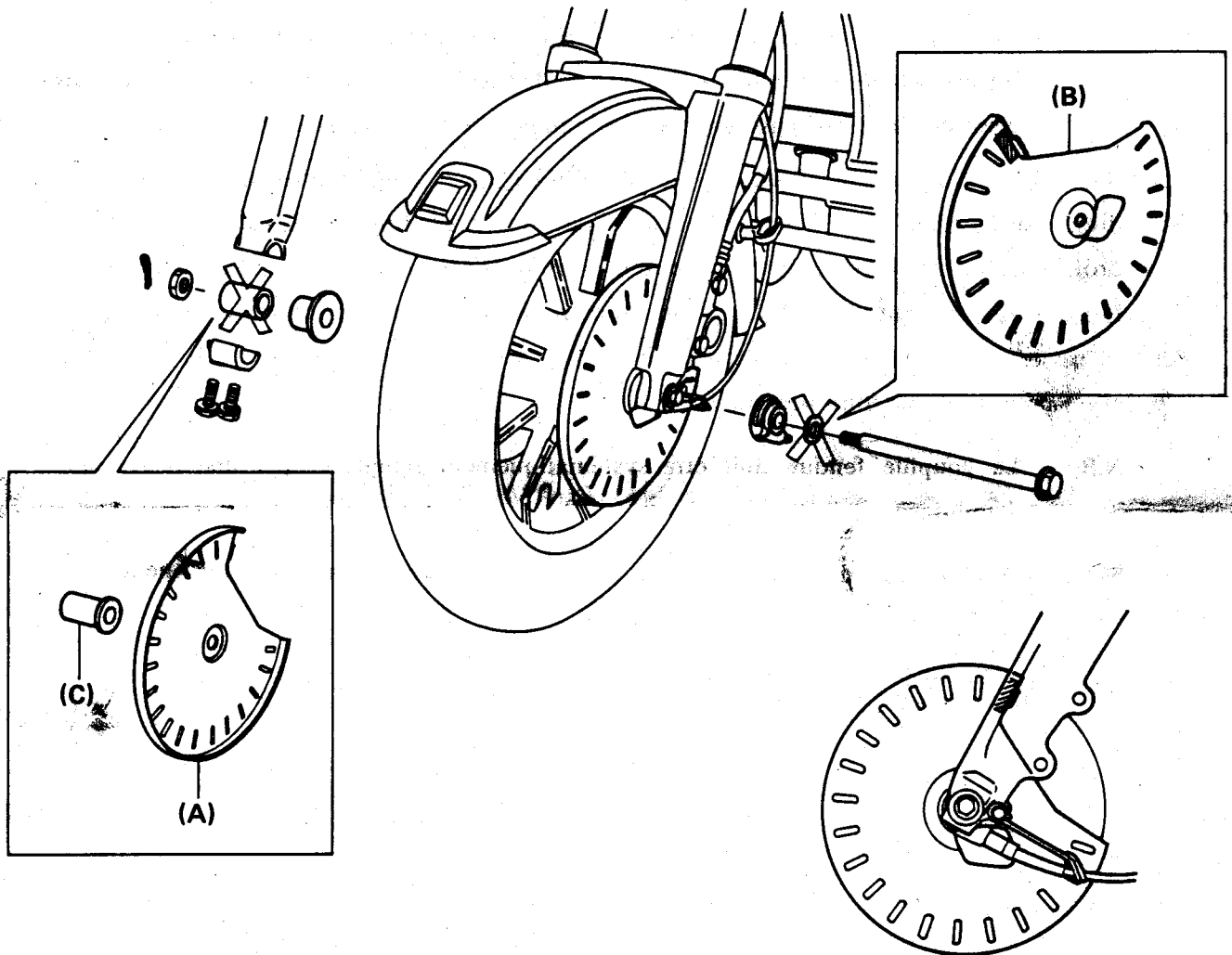
At this time, set the stopper of the front disc plate cover to the inner side of the front fork and adjust the rubber of the front disc plate cover so that it conforms to the front fork.

Note: The cotter pin should be replaced with new one.

6. Tighten the axle holder nut which was tightened temporarily in the step 4.

INSTALLATION INSTRUCTIONS

Front Disc Plate Cover Set (59230-24A00)



Letter	Qty	Description
A	1	Front Disc Plate Cover, Right
B	1	Front Disc Plate Cover, Left
C	1	Spacer