

# INSTALLATION INSTRUCTION GV1400 COIN HOLDER SET

## COMPONENT PARTS (SEE FIGURE 1)

Item	Part Name	Q'ty
A	Left Cowling Panel Box	1
B	Cowling Box Fitting Bracket	1
C	Coin Holder	1
D	Clip	1
E	Air Hose	1
F	Screw 5 x 10 mm	4

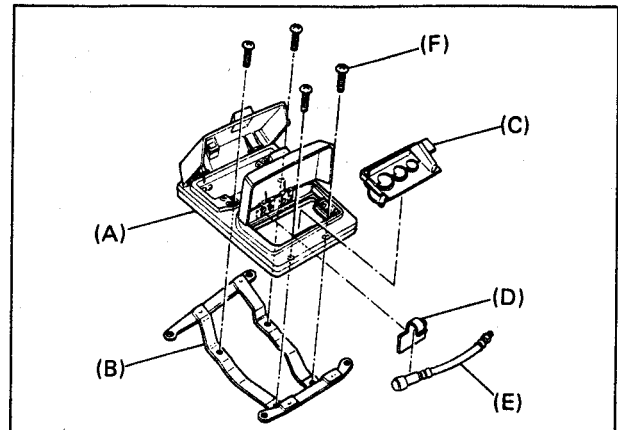


Fig. 1

## MOUNTING PROCEDURE

1. Remove the left cowling panel box lid using the ignition key.
2. Remove the left cowling panel box.

**NOTE:**

The four screws will be needed for the coin holder set installation. The left cowling panel box and lid are not needed but should be saved for possible future use.

3. If the vehicle is equipped with an AUTO LEVEL system, remove the auxiliary air valve cap and install the air hose (E), as shown in Figure 2.

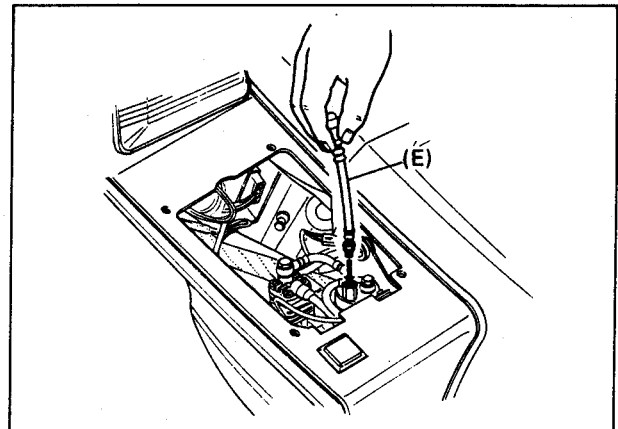


Fig. 2

4. Use the four screws that you removed in Step 2 to secure the cowling box fitting bracket (B) to the left cowling panel, as shown in Figure 3.

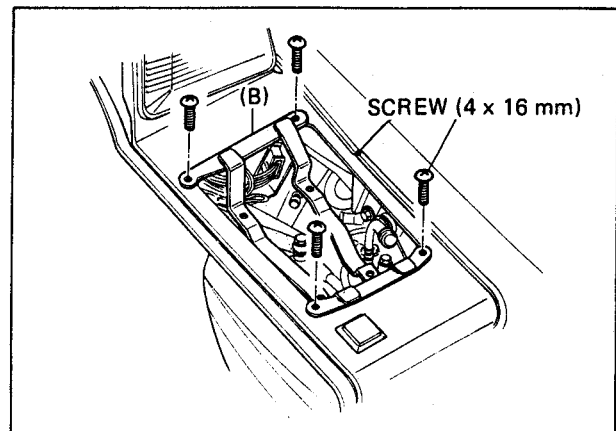


Fig. 3

5. Attach the clip (D) to the new left cowling panel box (A) provided in the kit, as shown in Figure 4.

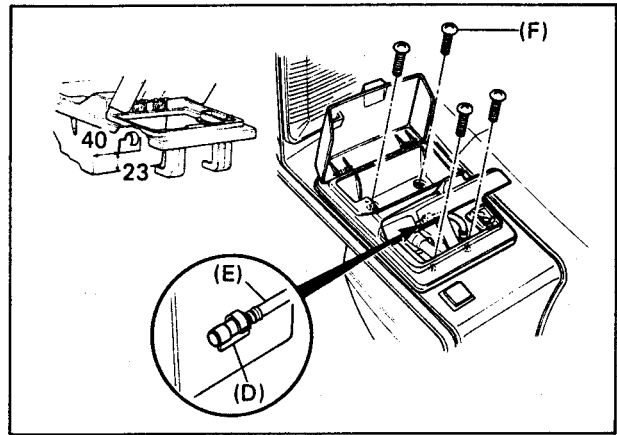


Fig. 4

6. Install the new left cowling panel box (A) to the cowling box fitting bracket (B) using the screws (F) provided in the kit.
7. Attach the air hose (E) to the clip (D) as shown in Figure 4.

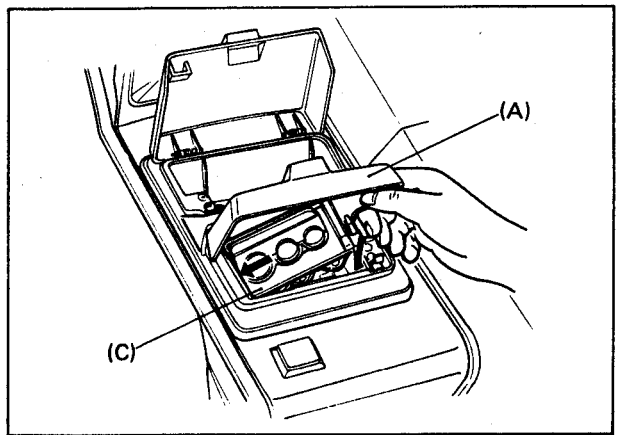


Fig. 5

8. Install the coin holder (C) to the left cowling panel box (A) as shown in Figure 5.

9. Lock the coin holder by moving the tab to the right as shown in Figure 6.

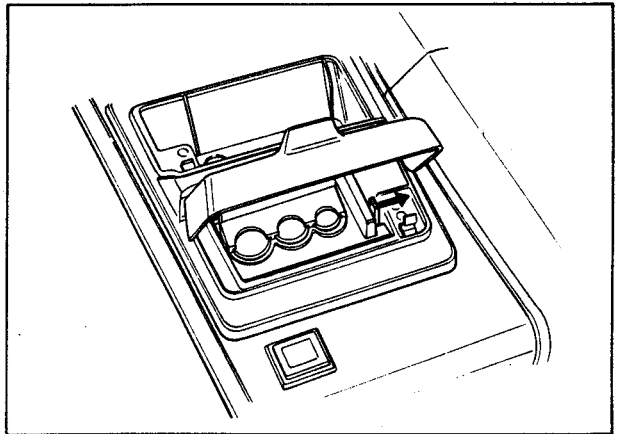


Fig. 6